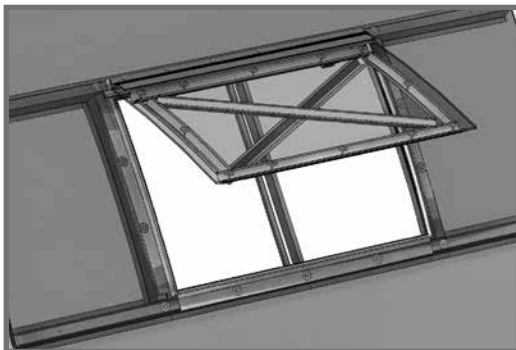




VENT SASH

**for the greenhouses “FERMER” series
model 2014**



Technical certificate

p.2-6

Assembly manual

p.7-10

EN



Follow the greenhouse vent sash assembly instructions and use it in strict accordance with the manual and operating rules stated in the technical certificate. Please keep the technical certificate for further reference.

INTRODUCTION

The air draught and air access are needed to ventilate the greenhouse. The plenum system of air supply should provide fresh outdoor air at a steady pace around the greenhouse. The inflow ventilation window apertures are at the low altitude from the ground. The exhaust ventilation window apertures are at the top of the greenhouse, or above the inflow ventilation window apertures, or side walls of the greenhouse - for the forced extraction using electric fans.

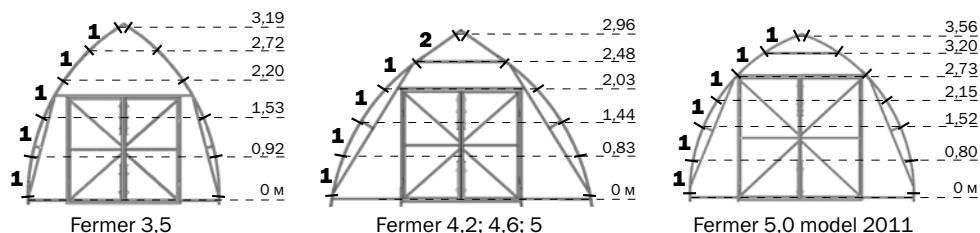
The most effective and comfortable way of ventilation is the variant when the inflow ventilation window apertures are situated low, and the exhaust ventilation window apertures are at the top part of the side walls. The final choice of ventilation options is left to the buyer. The automatic hinge arm or sash lock handle are sold separately. They are not standard included.

DISCRIPTION

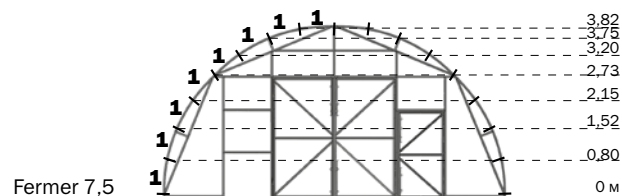
The vent sash is designed to ventilate the greenhouses. It is installed only in the greenhouses "Fermer" series. The frame of the vent sash is made of galvanized steel and it is assembled with screws and nuts. The complete set includes everything you need to mount and to cover.

THE LOCATION OF THE VENT SASHES IN THE GREENHOUSES "FERMER" SERIES

The locations of the vent sashes in the greenhouses are shown in the figures. Any necessary vent sash is conformed to a buyer.



- 1 - arc-wall vent sash
- 2 - flat vent sash



Arc-wall vent sash

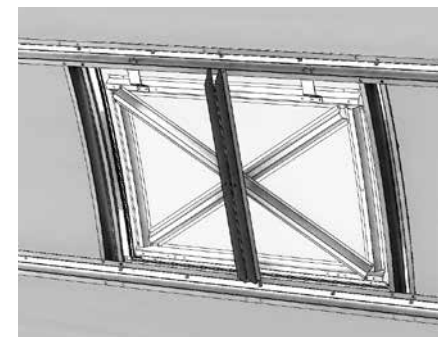
marking	name	quantity (pcs)	dimension (mm)
1st package			
01φ	vent sash elevation	2	501
02φ	clamp band	2	880
03φ	little diagonal	1	878
04φ	main diagonal	1	947
05φ	guide	2	681
	right bracket	1	675
	left bracket	1	675
	fixed part of lift-off butt	2	25x40
	moving part of lift-off butt	2	104x35x40
	curtain rail	1	1102
2nd package			
	Bolt 6x14	12	
	Bolt 6x20	15	
	screw M5x10	26	
	screw M5x35	12	
	screw M5x45	2	
	Nut M5	38	
	jam nut M5	2	
	Nut M6	27	
	Washer 32x5	12	
	Washer 32x6	9	
	double-size scotch tape	1	1100
3rd package			
	uppermost packing	1	1017
	downmost packing	1	975
	upright packing	2	687
4th package			
	polycarbonate	1	1050x705

Flat vent sash			
marking	name	quantity (pcs)	dimension (mm)
1st package			
01φ/3	vent sash elevation	2	501
02φ	clamp band	2	880
03φ	little diagonal	1	878
04φ	main diagonal	1	947
05φ/3	guide	2	674
	right bracket	1	675
	left bracket	1	675
	fixed part of lift-off butt	2	25x40
	moving part of lift-off butt	2	104x35x40
	curtain rail	1	1102
2nd package			
	Bolt 6x14	12	
	Bolt 6x20	15	
	screw M5x10	26	
	screw M5x35	12	
	screw M5x45	2	
	Nut M5	38	
	jam nut M5	2	
	Nut M6	27	
	Washer 32x5	12	
	Washer 32x6	9	
	double-size scotch tape	1	1100
3rd package			
	uppermost packing	1	1017
	downmost packing	1	975
	upright packing	2	687
4th package			
	polycarbonate	1	1050x705

Operating rules

The vent sash should be framed and installed in a greenhouse according the manual before the exploitation.

The vent sash should not be damaged. Any blemishes deform the frame and overcoat of the greenhouse.



Warranty liability

1. The manufacturer bears responsibility for the vent sash complete setup.
2. The manufacturer bears responsibility for the vent sash assemblability in accordance with the manual.
3. Claim submission period is 12 months from the date of the purchase.

Warranty conditions

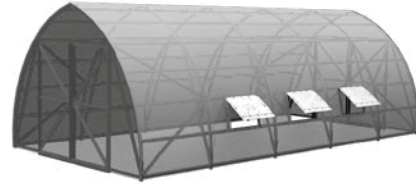
- Warranty liabilities do not apply to the cases of:
1. the vent sash installation with the contrary to the manual,
 2. misuse,
 3. hurricanes and other natural disasters.

Date of manufacture:

Manufacturer: OOO Volya
 8 Severny lane, Dubna, Moscow region, 141983, Russia
 The manufacturer bears responsibility for the products in accordance with RF CC.
 The manufacturer reserves the right for the vent sash engineering design changes.

Assembly instruction

1. Determine the place of the vent sash. Install two guides 05ϕ (fig.1) in the chosen place. The guides 05ϕ are installed on the beams in the pre-drilled holes of the greenhouse.



2. Cut the window aperture (fig.1) for the vent sash on the edges of the profile. Tape the top and bottom cuts of the polycarbonate.

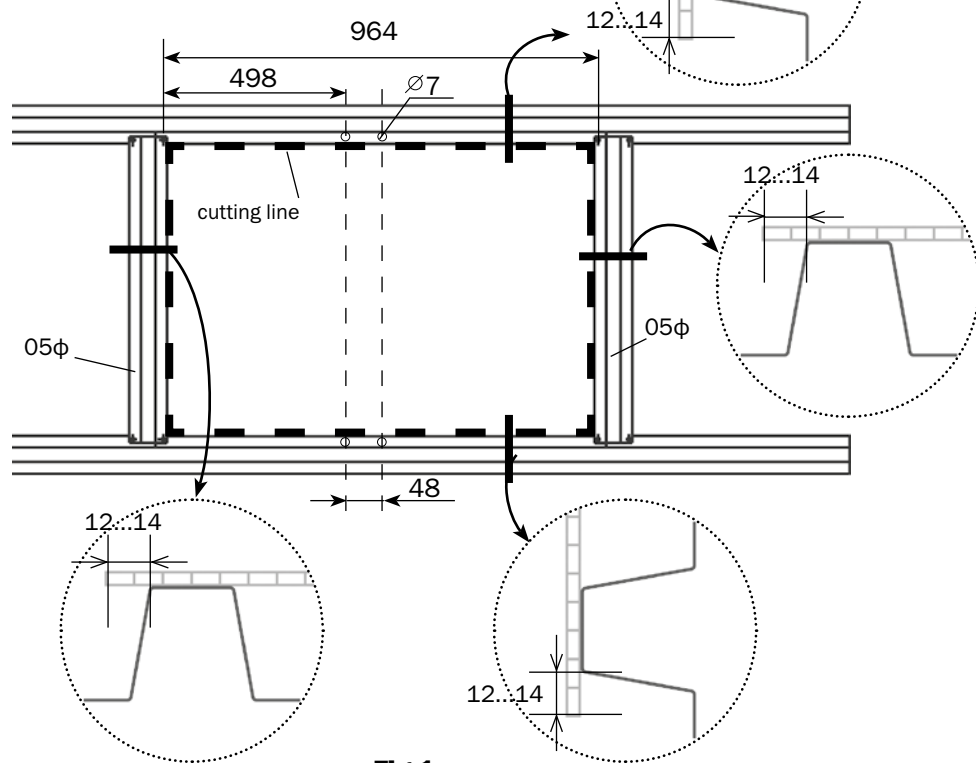


Fig.1
outside view

Assembly instruction

- Drill 4 holes 7 in the beams (fig. 1).
Install right and left brackets on them. (fig.2), observing their position on the holes

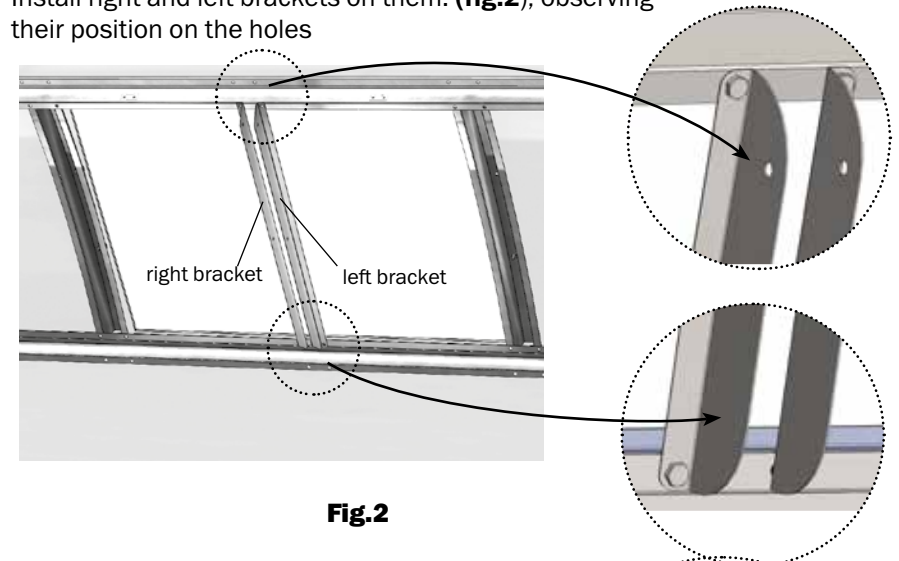


Fig.2

3. Cut both edges of the uppermost packing and lower edges of upright packing after the edges of the aperture (fig.3)

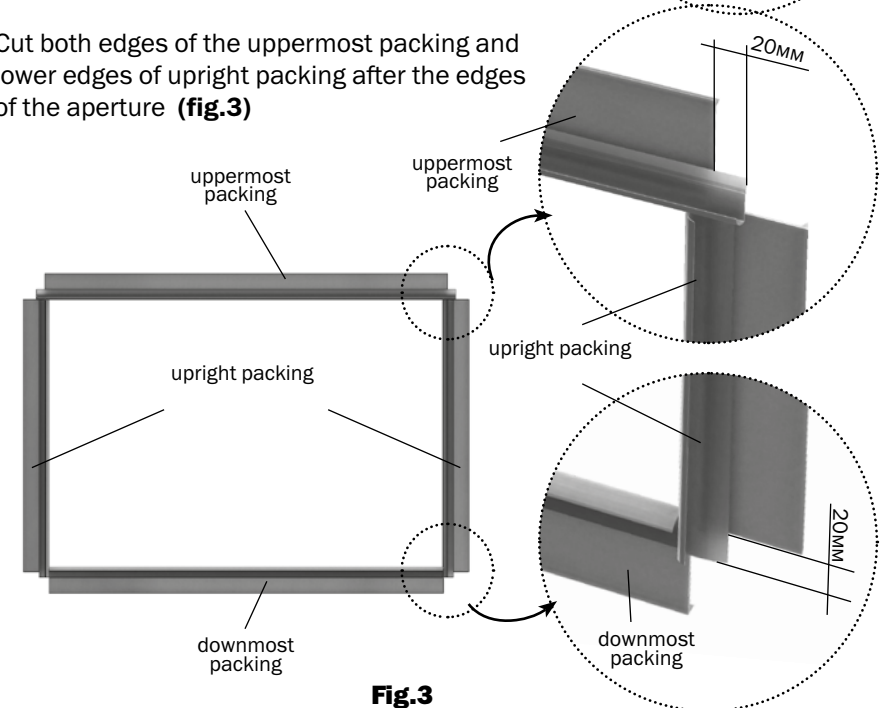
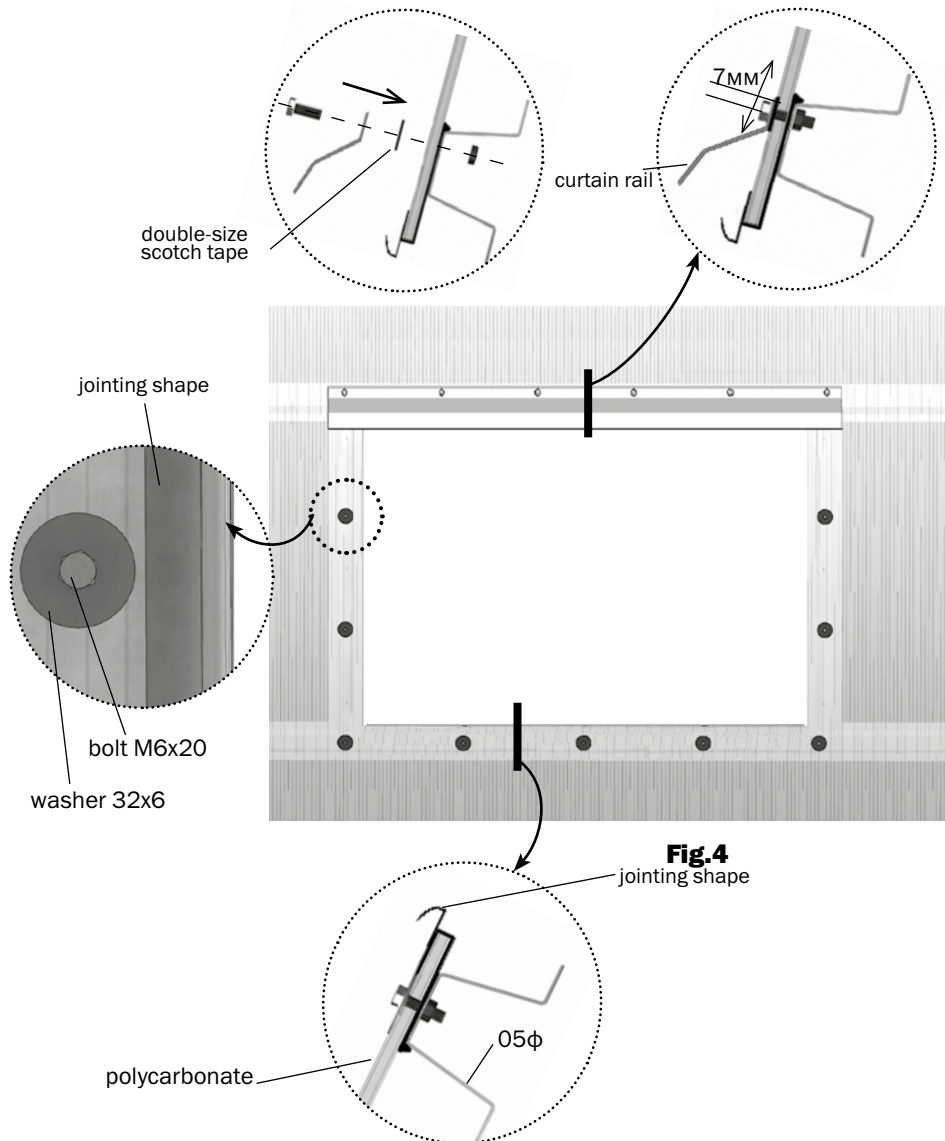


Fig.3

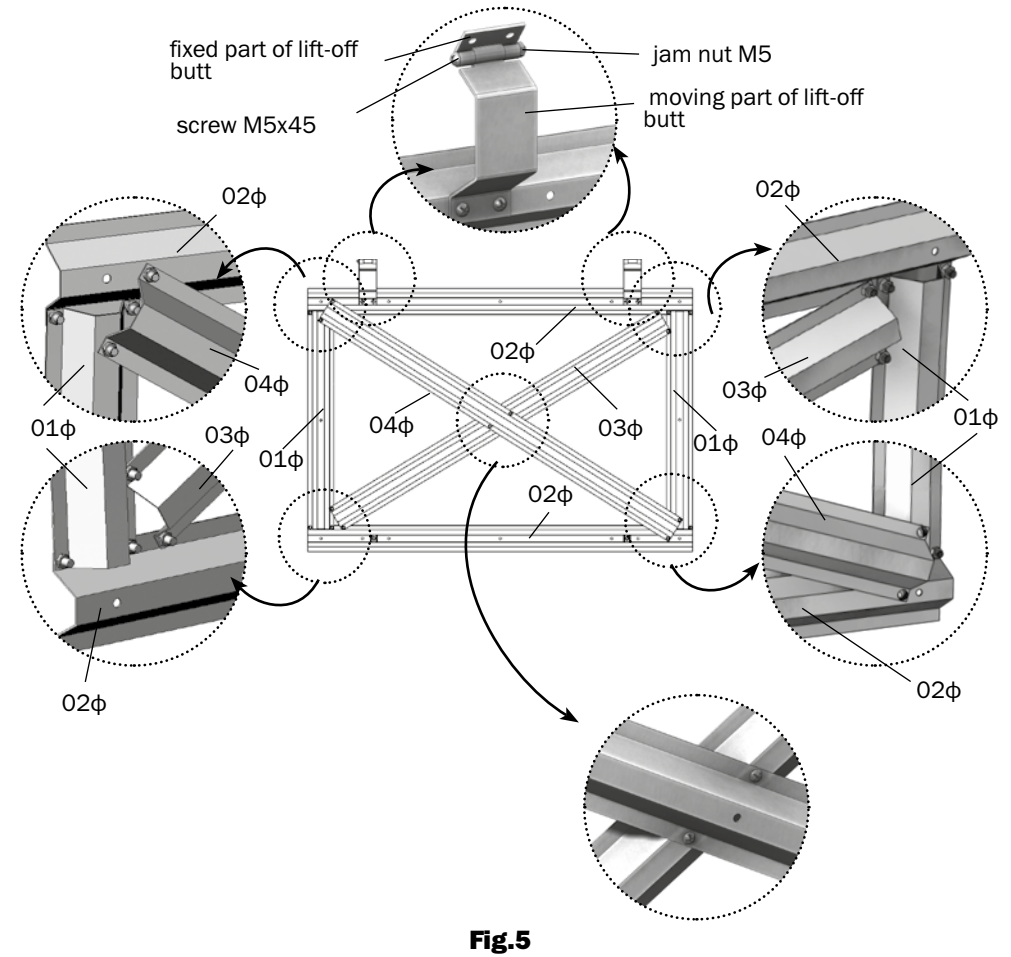
Assembly instruction

- 4.** Drill **5** holes $\varnothing 7$ along the axis of the lower beam and 6 holes on the top beam at 7 mm. distance from the edge. Install the packing on the polycarbonate edges. Bolt the edges of the polycarbonate outline with the bolts M6*20 and a washer 32*6 (**fig. 4**) to the runners and a lower beam. Install the curtain rail on the top beam.




Assembly instruction

- 5.** Frame the vent sash using the details **01φ, 02φ, 03φ, 04φ**. Install the window butt on the vent sash with the screws M5*10 and nuts M5.



Assembly instruction

- 6.** A polycarbonate piece tape with scotch (close the cells) and screw it to the frame of the vent sash with the screws M5*35 and nuts M5 (**fig.6**)

 Do not screw until tight in order not to damage the polycarbonate

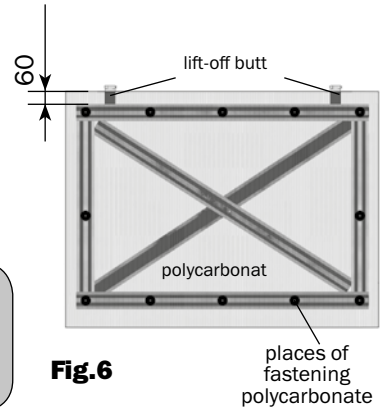


Fig.6

- 7.** Fit the vent sash to the window aperture, mark the holes for the lift-off butts and then drill 4 holes on the beam (**fig. 7**)

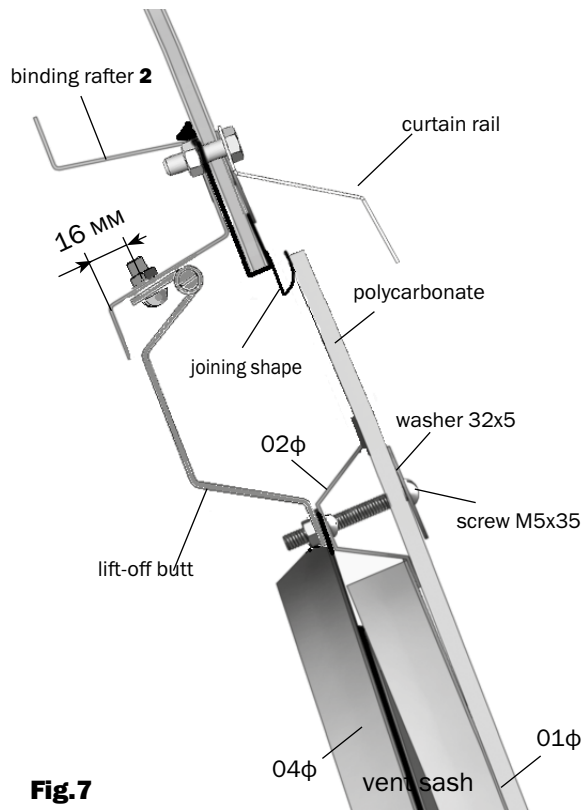


Fig.7



VOLYA LLC

Manufacturer:

000 Volya, Dubna, Moscow region

Tel/fax: (495)598-5-999

www.perchina.ru

e-mail: info@perchina.ru

This manual cannot be reproduced in any form, in whole or in part,
without an express written permission of Volya company.

EN